

JELD WEN® WINDOWS & DOORS

DESIGN PRO / SMOOTH PRO NON-IMPACT

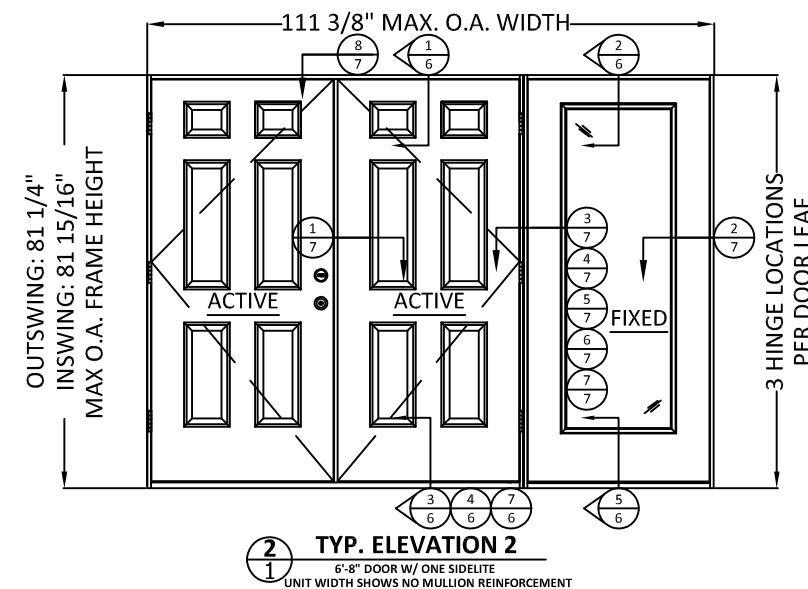
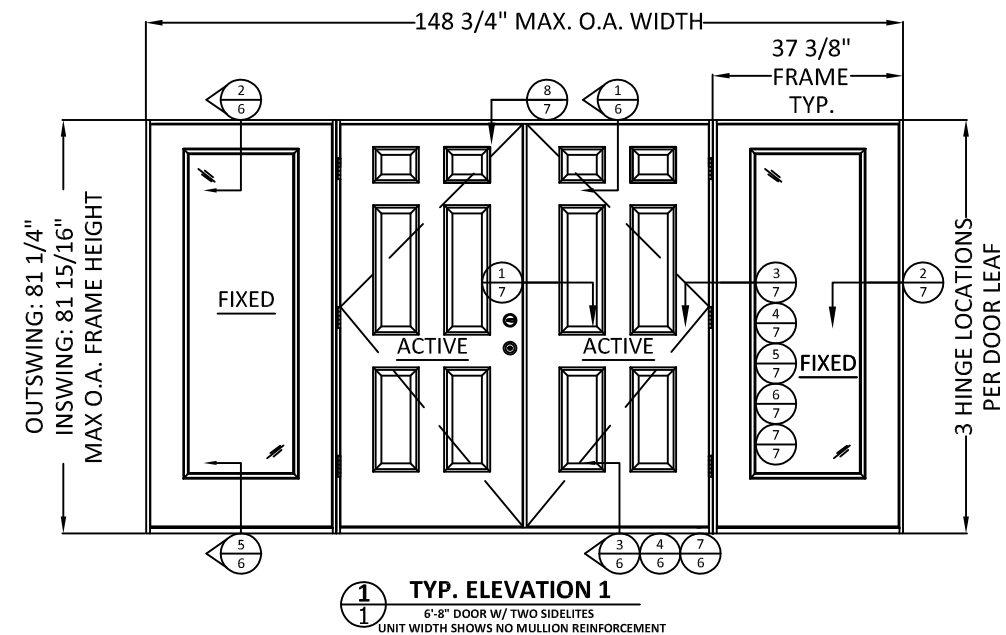
FOR USE OUTSIDE THE HIGH VELOCITY HURRICANE ZONE (HVHZ)

GENERAL NOTES:

- THE PRODUCT SHOWN HEREIN IS DESIGNED AND MANUFACTURED TO COMPLY WITH THE CURRENT INTERNATIONAL BUILDING CODE (IBC), INTERNATIONAL RESIDENTIAL CODE (IRC), AND FLORIDA BUILDING CODE (FBC), **EXCLUDING** HVHZ AND HAS BEEN EVALUATED ACCORDING TO THE FOLLOWING:
 - ASTM E330-02
 - ASTM E283-04
 - AAMA 1304-02
- ADEQUACY OF THE EXISTING STRUCTURAL CONCRETE/MASONRY OR 2X FRAMING AS A MAIN WIND FORCE RESISTING SYSTEM CAPABLE OF WITHSTANDING AND TRANSFERRING APPLIED PRODUCT LOADS TO THE FOUNDATION IS THE RESPONSIBILITY OF THE ENGINEER OR ARCHITECT OF RECORD FOR THE PROJECT OF INSTALLATION.
- THE INSTALLATION DETAILS DESCRIBED HEREIN ARE GENERIC AND MAY NOT REFLECT ACTUAL CONDITIONS FOR A SPECIFIC SITE. IF SITE CONDITIONS CAUSE INSTALLATION TO DEVIATE FROM THE REQUIREMENTS DETAILED HEREIN, A LICENSED ENGINEER OR ARCHITECT SHALL PREPARE SITE SPECIFIC DOCUMENTS FOR USE WITH THIS DOCUMENT.
- APPROVED IMPACT PROTECTIVE SYSTEM **IS REQUIRED** ON THIS PRODUCT IN AREAS REQUIRING IMPACT RESISTANCE.
- GLASS MEETS THE REQUIREMENTS OF ASTM E 1300 GLASS CHARTS. SEE SHEET 4 FOR GLAZING DETAILS.
- FIXED FULL LITE APPROVAL COVERS USE OF FRACTIONAL GLAZING, INCLUDING INTERNAL GRID, BLINDS BETWEEN GLASS, DECORATIVE, AND EXTERNAL WROUGHT IRON. RADIUS (SHAPED) LITES ARE QUALIFIED FOR 6'-8" DOORS AT DP +/-50 PSF ONLY.
- 6-PANEL DOOR SHOWN FOR ILLUSTRATION PURPOSES. ADDITIONAL PANEL CONFIGURATIONS AND FLUSH DOORS ARE QUALIFIED.
- NOTE: OPERATING AFCO H-497 SILL MEETS WATER INFILTRATION AT WATER TEST PRESSURE (WTP) OF 9.0 PSF. FIXED SIDELITE MEETS WATER INFILTRATION AT WTP OF 7.5 PSF. REMAINING SILLS NOT RATED FOR WATER INFILTRATION. IF AUTHORITY HAVING JURISDICTION REQUIRES THAT PRODUCT MEETS THIS REQUIREMENT, PRODUCT SHALL BE USED WHEN INSTALLED AT LOCATION PROTECTED BY OVERHANG SUCH THAT OVERHANG (OH) RATIO = OH LENGTH ÷ OH HEIGHT IS ≥ 1.0

TABLE OF CONTENTS

SHEET	REVISION	SHEET DESCRIPTION
1	A	TYPICAL ELEVATIONS, DESIGN PRESSURES, AND GENERAL NOTES
2	A	ELEVATIONS
3	A	TYPICAL ANCHOR LAYOUTS AND NOTES
4	-	QUALIFIED CONFIGURATIONS & GLAZING DETAIL
5	-	OPTIONAL 2X BUCK ANCHORING DETAILS
6	-	VERTICAL ASSEMBLIES
7	-	HORIZONTAL ASSEMBLIES
8	-	WOOD SUBSTRATES
9	-	CONCRETE SUBSTRATES
10	A	COMPONENTS & BILL OF MATERIALS



NOTES:

- INACTIVE AND ACTIVE DOOR PANEL ORIENTATION IS INTERCHANGEABLE.
- SIDELITE MAY BE USED IN LIEU OF DOOR IN CONFIGURATIONS SHOWN ABOVE AS LONG AS O.A. DIMENSIONS ARE NOT SURPASSED.

CONFIGURATION	MAX. OVERALL NOMINAL SIZE		DESIGN PRESSURE (PSF)								MISSILE IMPACT RATING
			FINGER-JOINTED PINE				ALL OTHER MATERIALS				
			INSWING		OUTSWING		INSWING		OUTSWING		
WIDTH	HEIGHT	POS.	NEG.	POS.	NEG.	POS.	NEG.	POS.	NEG.		
O,XX,O	12'-0"	6'-8"	50*	50	50*	50	50*	50	50*	50	NON-IMPACT
O,XX,O RADIUS	12'-0"	6'-8"	50*	50	50*	50	50*	50	50*	50	NON-IMPACT
O,XX,O	12'-0"	8'-0"	45*	45	45*	45	45*	45	45*	45	NON-IMPACT
XX,O	9'-0"	6'-8"	50*	50	50*	50	50*	50	50*	50	NON-IMPACT
XX,O RADIUS	9'-0"	6'-8"	50*	50	50*	50	50*	50	50*	50	NON-IMPACT
XX,O	9'-0"	8'-0"	45*	45	45*	45	45*	45	45*	45	NON-IMPACT

*SEE GENERAL NOTE 8, SHEET 1, FOR WATER INFILTRATION APPROVED SILLS.

PREPARED BY:



BUILDING DROPS, INC.

398 E. DANIA BEACH BLVD., STE. 338
DANIA BEACH, FL 33004
PH: (954)399-8478
FAX: (954)744.4738
WEB: www.buildingdrops.com

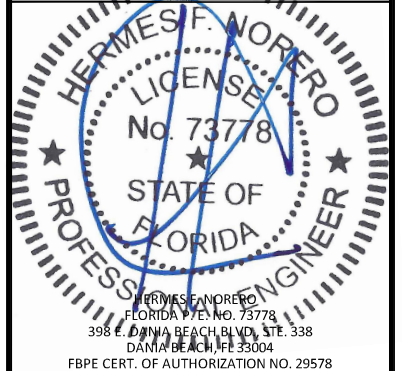
TITLE: DESIGN PRO/SMOOTH PRO
NON-IMPACT
TYPICAL ELEVATIONS, DESIGN PRESSURES, AND GENERAL NOTES

3737 LAKEPORT BLVD.,
KLAMATH FALLS, OR 97601
PH: (541)882-3451
FAX: (541)850-2609

JELD WEN®
WINDOWS & DOORS

REMARKS	BY	DATE
Add Multi-Pt. Lock & Radius Lt.	GL	06/23/14
Reference DWG. #A010837A	AM	09/04/19

THE INSTALLATION DETAILS DESCRIBED HEREIN ARE GENERIC AND MAY NOT REFLECT ACTUAL CONDITIONS FOR A SPECIFIC SITE. IF SITE CONDITIONS CAUSE INSTALLATION TO DEVIATE FROM THE REQUIREMENTS DETAILED HEREIN, A LICENSED ENGINEER OR ARCHITECT SHALL PREPARE SITE SPECIFIC DOCUMENTS FOR USE WITH THIS DOCUMENT.



HERMES F. NORERO
FLORIDA P.E. NO. 73778
398 E. DANIA BEACH BLVD., STE. 338
DANIA BEACH, FL 33004
FBPE CERT. OF AUTHORIZATION NO. 29578

DATE: **02.05.14**

DWG. BY: **GL/TJM** | CHK. BY: **SS/MSS**

SCALE: **NTS**

DWG. #: **D015692**

SHEET: **1** OF 10

PREPARED BY:



BUILDING DROPS, INC.
 398 E. DANIA BEACH BLVD., STE. 338
 DANIA BEACH, FL 33004
 PH: (954)399-8478
 FAX: (954)744.4738
 WEB: www.buildingdrops.com

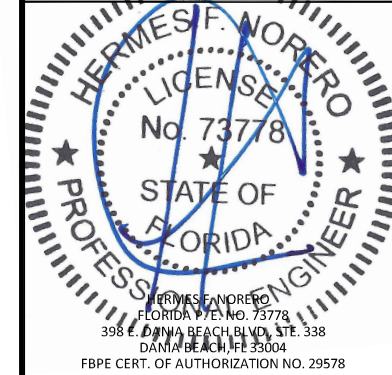
TITLE: DESIGN PRO/SMOOTH PRO
 NON-IMPACT
 ELEVATIONS

3737 LAKEPORT BLVD.,
 KLAMATH FALLS, OR 97601
 PH: (541)882-3451
 FAX: (541)850-2609

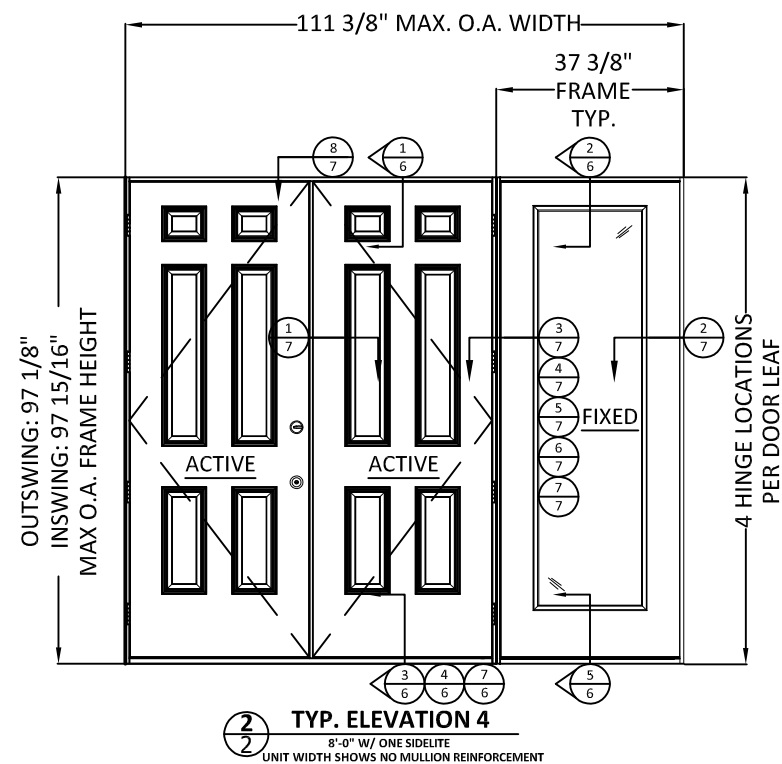
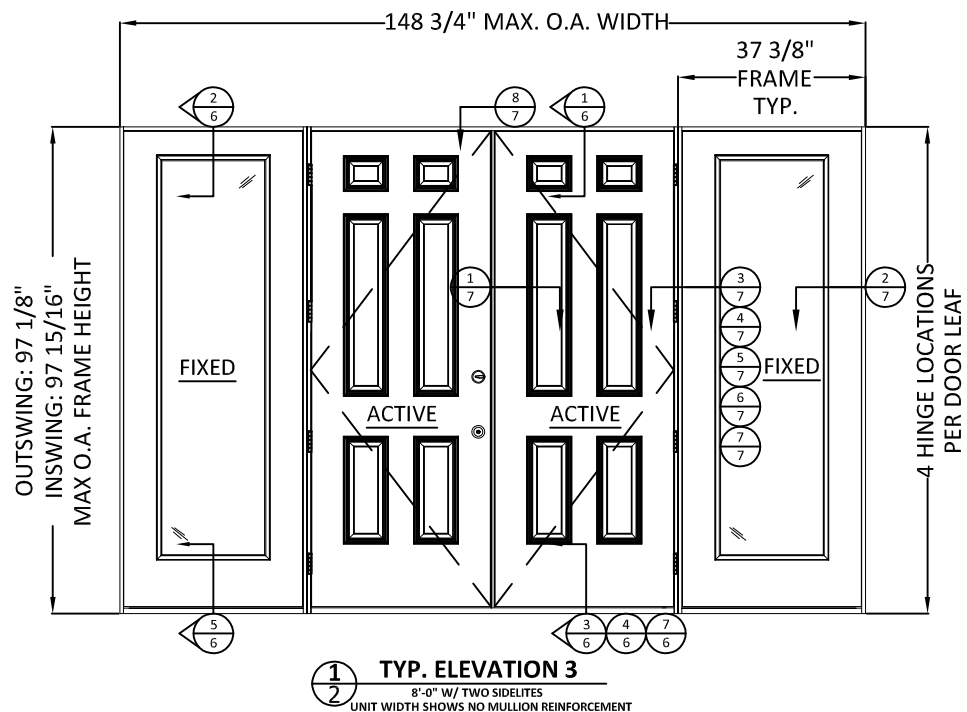
JELD WEN
 WINDOWS & DOORS

REMARKS	BY	DATE
Add Multi-Pt. Lock & Radius Lt.	GL	06/23/14
Reference DWG. #A010837A	AM	09/04/19

THE INSTALLATION DETAILS DESCRIBED HEREIN ARE GENERIC AND MAY NOT REFLECT ACTUAL CONDITIONS FOR A SPECIFIC SITE. IF SITE CONDITIONS CAUSE INSTALLATION TO DEVIATE FROM THE REQUIREMENTS DETAILED HEREIN, A LICENSED ENGINEER OR ARCHITECT SHALL PREPARE SITE SPECIFIC DOCUMENTS FOR USE WITH THIS DOCUMENT.



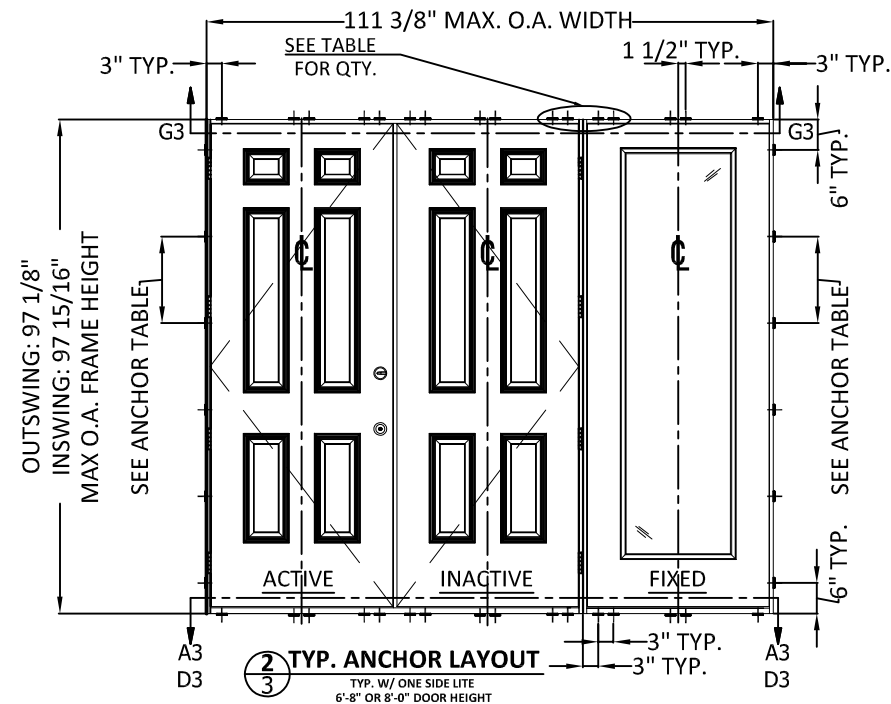
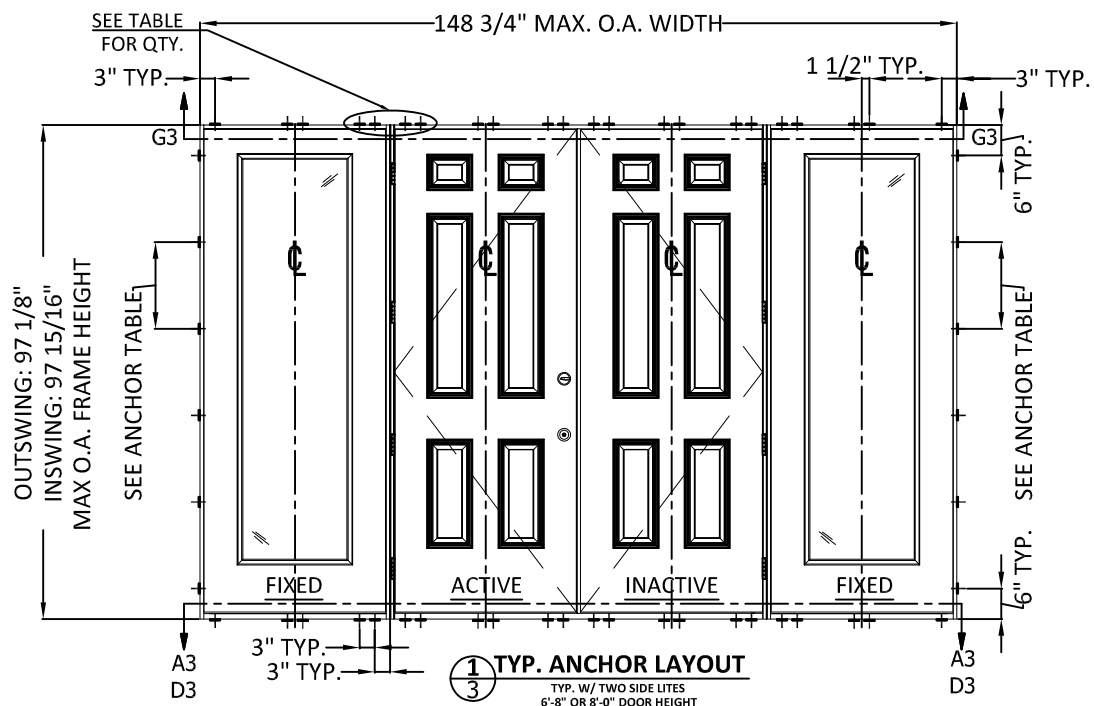
DATE:	02.05.14
DWG. BY:	GL/TJM
CHK. BY:	SS/MSS
SCALE:	NTS
DWG. #:	D015692
SHEET:	OF 10



- NOTES:
1. INACTIVE AND ACTIVE DOOR PANEL ORIENTATION IS INTERCHANGEABLE.
 2. SIDELITE MAY BE USED IN LIEU OF DOOR IN CONFIGURATIONS SHOWN ABOVE AS LONG AS O.A. DIMENSIONS ARE NOT SURPASSED.

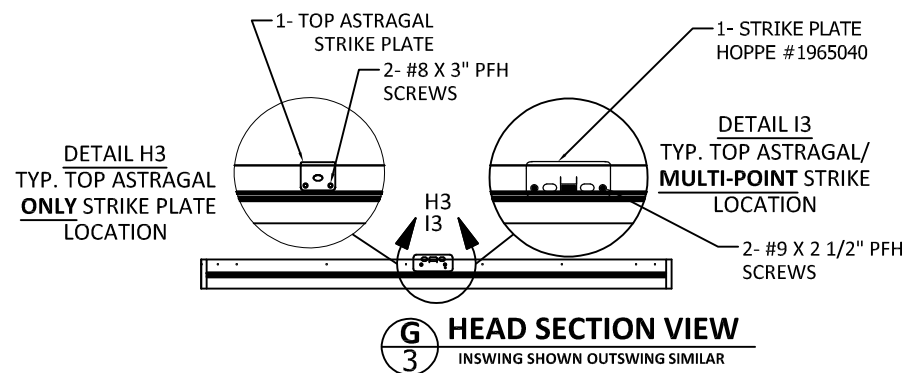
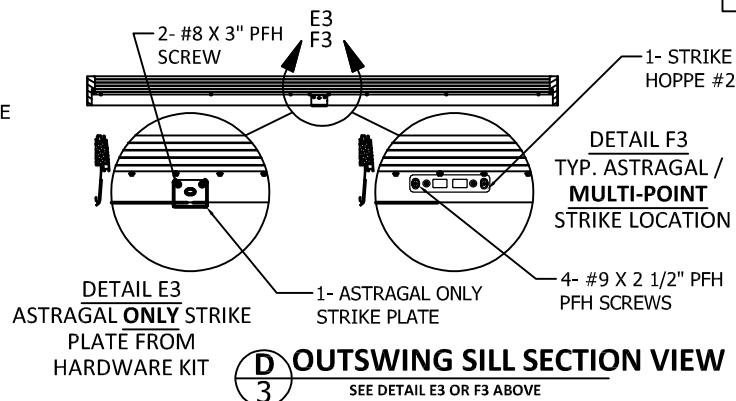
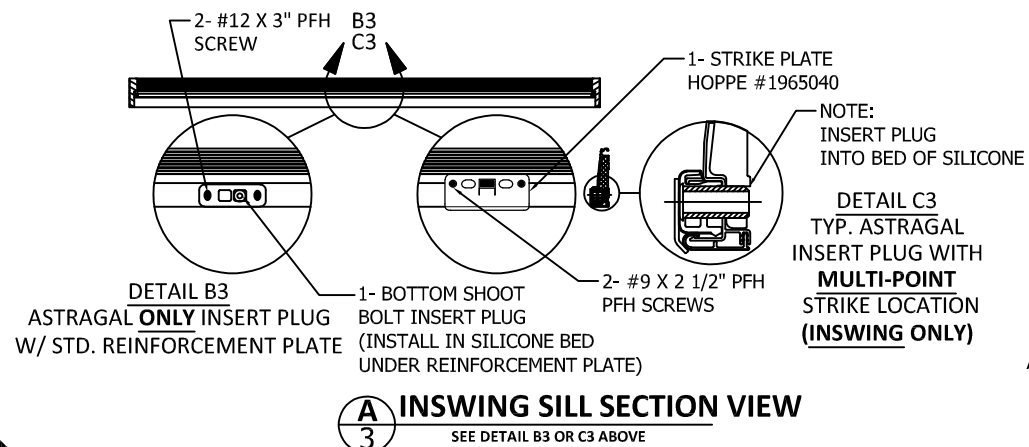
INSTALLATION NOTES:

- ONE (1) INSTALLATION ANCHOR IS REQUIRED AT EACH ANCHOR LOCATION SHOWN.
- SHIM AS REQUIRED AT EACH INSTALLATION ANCHOR WITH LOAD BEARING SHIM(S). MAXIMUM ALLOWABLE SHIM STACK TO BE 1/4 INCH. SHIM WHERE SPACE OF 1/16 INCH OR GREATER OCCURS. SHIM(S) SHALL BE A NON-COMPRESSIBLE COMPOSITE OR BETTER.
- MINIMUM EMBEDMENT AND EDGE DISTANCE EXCLUDE WALL FINISHES, INCLUDING BUT NOT LIMITED TO STUCCO, FOAM, BRICK VENEER, AND SIDING.
- INSTALLATION ANCHORS AND ASSOCIATED HARDWARE MUST BE MADE OF CORROSION RESISTANT MATERIAL OR HAVE A CORROSION RESISTANT COATING, AND SHALL BE INSTALLED IN ACCORDANCE WITH ANCHOR MANUFACTURER'S INSTALLATION INSTRUCTIONS.
- FOR HOLLOW BLOCK AND GROUT FILLED BLOCK, DO NOT INSTALL INSTALLATION ANCHORS INTO MORTAR JOINTS. EDGE DISTANCE IS MEASURED FROM FREE EDGE OF BLOCK OR EDGE OF MORTAR JOINT INTO FACE SHELL OF BLOCK.
- FOR 2X STUD CONSTRUCTION, ANCHORING OF THESE PRODUCTS SHALL BE THE SAME AS FOR 2X BUCK CONCRETE/MASONRY CONSTRUCTION.
- INSTALLATION ANCHOR CAPACITIES FOR PRODUCTS HEREIN ARE BASED ON SUBSTRATE MATERIALS WITH THE FOLLOWING PROPERTIES:
 - WOOD - MINIMUM SPECIFIC GRAVITY OF 0.55.
 - CONCRETE - MINIMUM COMPRESSIVE STRENGTH OF 3000 PSI.
 - GROUT-FILLED CMU- UNIT STRENGTH CONFORMS TO ASTM C-90 WITH MINIMUM COMPRESSIVE STRENGTH OF 2000 PSI AND GROUT CONFORMS TO ASTM C 476, MINIMUM GROUT COMPRESSIVE STRENGTH OF 2000 PSI.
 - HOLLOW BLOCK CMU - UNIT STRENGTH CONFORMS TO ASTM C-90 WITH MINIMUM COMPRESSIVE STRENGTH OF 2000 PSI.
- SEE SHEETS 8 AND 9 FOR MORE DETAILS OF THE INSTALLATION REQUIREMENTS, INCLUDING ANCHOR LOCATIONS, EDGE DISTANCES, EMBEDMENTS, AND SHIM SPACING.
- OPTIONALLY, ANCHORS CAN BE PLACED IN NARROW SECTION OF HEAD OR JAMB AS LONG AS MINIMUM EMBEDMENT AND EDGE DISTANCE ARE ACHIEVED.



- NOTES:**
- INACTIVE AND ACTIVE DOOR PANEL ORIENTATION IS INTERCHANGEABLE.
 - SIDLITE MAY BE USED IN LIEU OF DOOR IN CONFIGURATIONS SHOWN ABOVE AS LONG AS O.A. DIMENSIONS ARE NOT SURPASSED.

ANCHOR TABLE								
ANCHOR TYPE	ANCHOR SIZE	SUBSTRATE	MIN. EMBEDMENT	MIN. EDGE DISTANCE	6'8" DOORS		8'0" DOORS	
					MAX. O.C. SPACING AT JAMBS	# OF ANCHORS AT HEAD/SILL CLUSTERS	MAX. O.C. SPACING AT JAMBS	# OF ANCHORS AT HEAD/SILL CLUSTERS
WOOD SCREW	#10	2X WOOD BUCK OR FRAMING	1-1/2"	3/4"	17-1/2"	4	17-1/4"	4
ITW TAPCON	3/16"	CONCRETE/CMU	1-1/4"	2-1/2"	17-1/2"	4	17-1/4"	4
ELCO ULTRACON	1/4"	CONCRETE/CMU	1-3/8" - CONC. 1-1/4" - CMU	1"	17-1/2"	4	17-1/4"	4
ITW TAPCON	3/16"	CONCRETE/CMU	1-1/4"	1"	11-5/8"	8	14-3/8"	6



PREPARED BY:



BUILDING DROPS, INC.
 398 E. DANIA BEACH BLVD., STE. 338
 DANIA BEACH, FL 33004
 PH: (954)399-8478
 FAX: (954)744.4738
 WEB: www.buildingdrops.com

TITLE: DESIGN PRO/SMOOTH PRO
NON-IMPACT

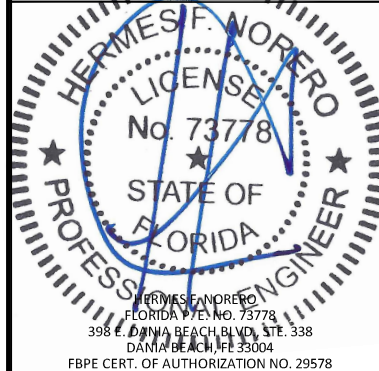
ANCHOR LAYOUTS AND NOTES

3737 LAKEPORT BLVD.,
 KLAMATH FALLS, OR 97601
 PH: (541)882-3451
 FAX: (541)850-2609

JELD-WEN
 WINDOWS & DOORS

REMARKS	BY	DATE
Add Multi-Pt. Lock & Radius Lt.	GL	06/23/14
Reference DWG. #A010837A	AM	09/04/19

THE INSTALLATION DETAILS DESCRIBED HEREIN ARE GENERIC AND MAY NOT REFLECT ACTUAL CONDITIONS FOR A SPECIFIC SITE. IF SITE CONDITIONS CAUSE INSTALLATION TO DEVIATE FROM THE REQUIREMENTS DETAILED HEREIN, A LICENSED ENGINEER OR ARCHITECT SHALL PREPARE SITE SPECIFIC DOCUMENTS FOR USE WITH THIS DOCUMENT.

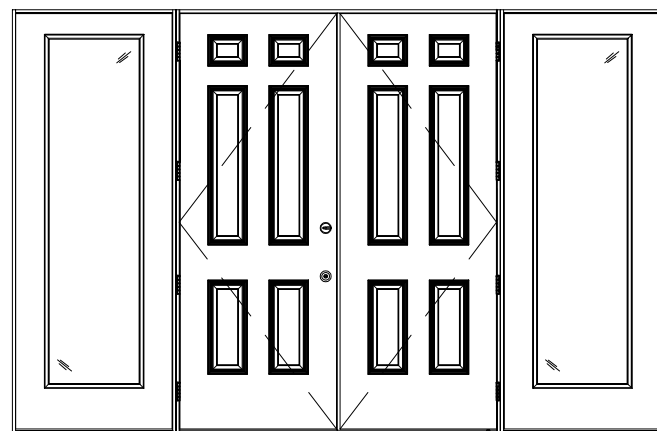


DATE:	02.05.14
DWG. BY:	GL/TJM
CHK. BY:	SS/MSS
SCALE:	NTS
DWG. #:	D015692
SHEET:	OF 10

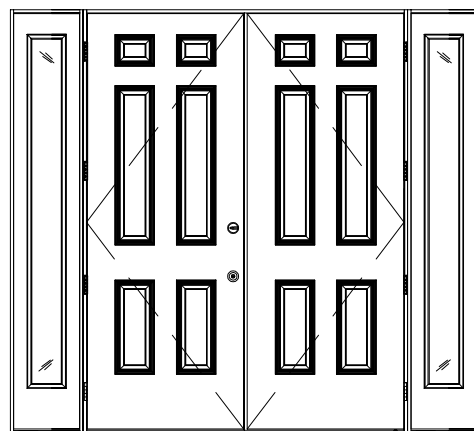
PREPARED BY:



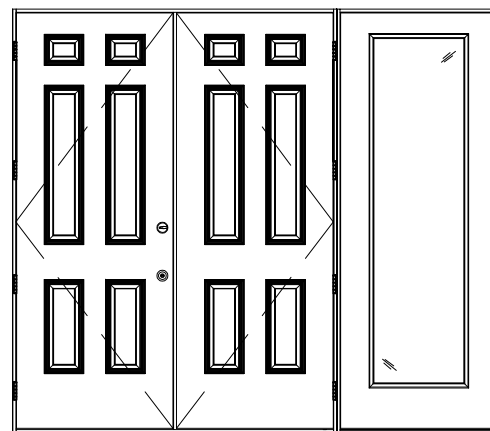
BUILDING DROPS, INC.
 398 E. DANIA BEACH BLVD., STE. 338
 DANIA BEACH, FL 33004
 PH: (954)399-8478
 FAX: (954)744.4738
 WEB: www.buildingdrops.com



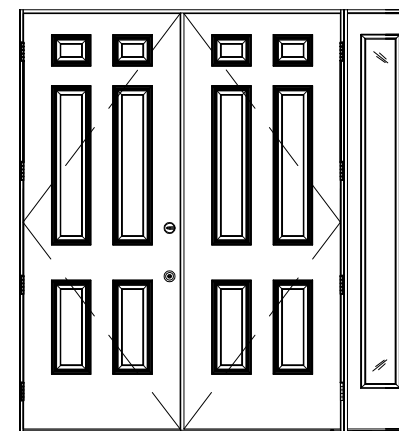
1
4 **O,XX,O ELEVATION**
WITH 3'0" SIDELITES



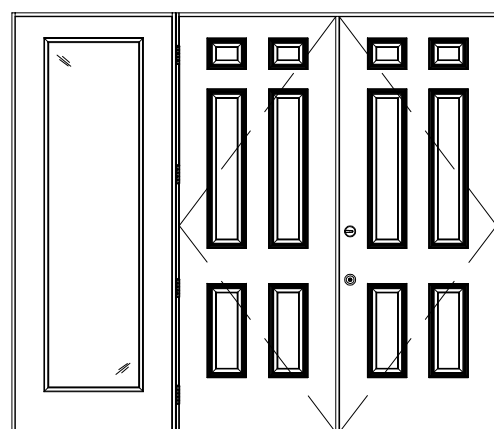
2
4 **O,XX,O ELEVATION**
WITH 1'3" SIDELITES



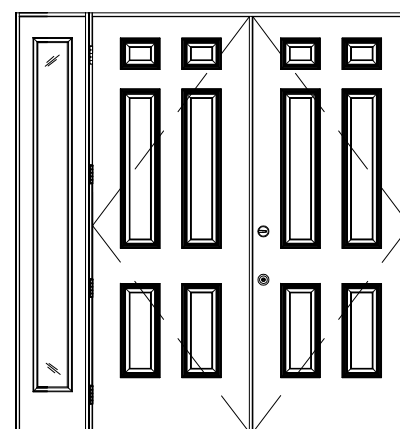
3
4 **XX,O ELEVATION**
WITH 3'0" SIDELITE



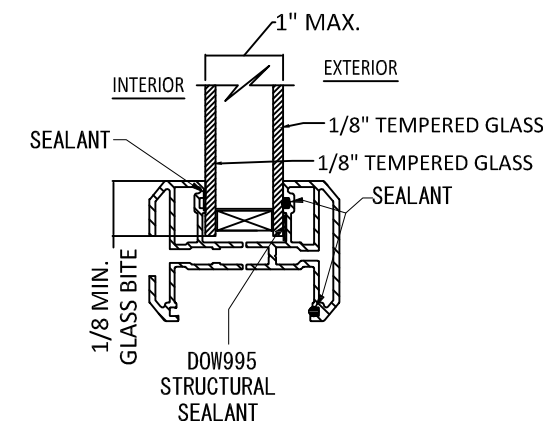
4
4 **XX,O ELEVATION**
WITH 1'3" SIDELITE



5
4 **O,XX ELEVATION**
WITH 3'0" SIDELITE



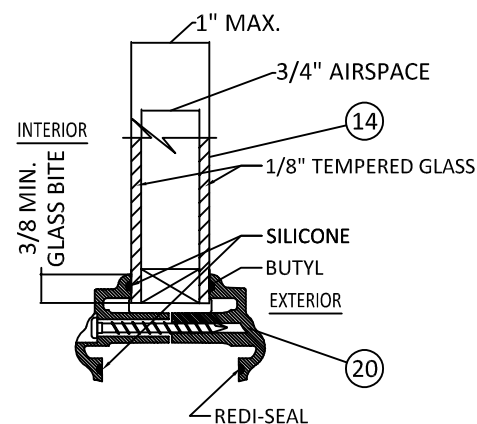
6
4 **O,XX ELEVATION**
WITH 1'3" SIDELITE



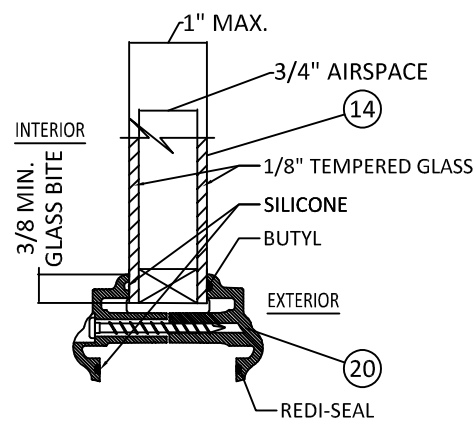
11
4 **GLAZING DETAIL OPTION**

20 1/2" MAX D.L.O. WIDTH
 78 1/2" MAX D.L.O. HEIGHT
 3-0 X 6-8 - DP 50
 6-0 X 6-8 - DP 50
 3-0 X 8-0 - DP 45
 6-0 X 8-0 - DP 45

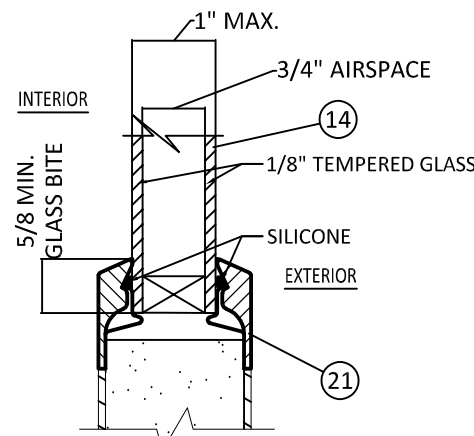
NOTES:
 1. INACTIVE AND ACTIVE DOOR PANEL ORIENTATION IS INTERCHANGEABLE.
 2. SIDELITE MAY BE USED IN LIEU OF DOOR IN CONFIGURATIONS SHOWN ABOVE AS LONG AS O.A. DIMENSIONS ARE NOT SURPASSED.



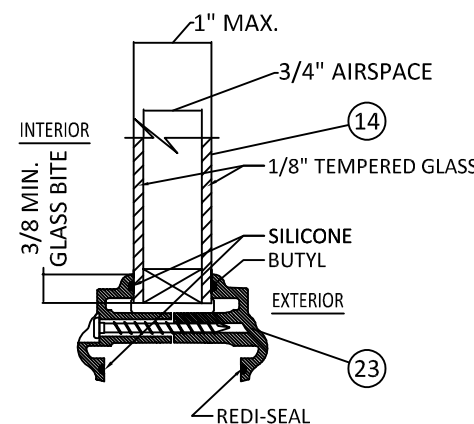
7
4 **6'-8" GLAZING DETAIL**
20 1/2" MAX. D.L.O. WIDTH
62 1/2" MAX. D.L.O. HEIGHT



8
4 **8'-0" GLAZING DETAIL**
20 1/2" MAX. D.L.O. WIDTH
78 1/2" MAX. D.L.O. HEIGHT



9
4 **FLUSH GLAZE DETAIL**
23 7/8" MAX. D.L.O. WIDTH
78 7/8" MAX. D.L.O. HEIGHT



10
4 **GLAZING DETAIL**
FOR OVAL, SUNBURST, AND ROUND TOPS
IN 6'8" UNITS AT DP +/- 50 PSF ONLY

NOTE:
 FRACTIONAL GLAZING, INCLUDING INTERNAL GRID, BLINDS BETWEEN GLASS, DECORATIVE, EXTERNAL AND INTERNAL WROUGHT IRON AND RADIUS (SHAPED) LITES ARE APPROVED IN ALL GLAZING DETAILS SHOWN ABOVE.

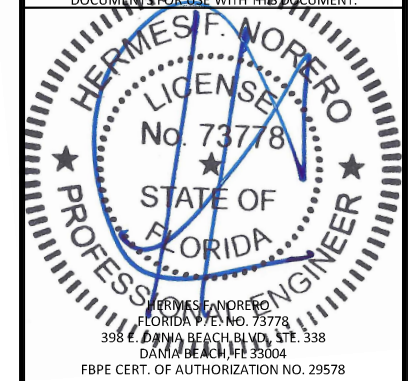
TITLE: DESIGN PRO/SMOOTH PRO
 NON-IMPACT
 QUALIFIED CONFIGURATIONS
 & GLAZING DETAIL

3737 LAKEPORT BLVD.,
 KLAMATH FALLS, OR 97601
 PH: (541)882-3451
 FAX: (541)850-2609

JELD-WEN
 WINDOWS & DOORS

REMARKS	BY	DATE
Add Multi-Pt. Lock & Radius Lt.	GL	06/23/14
Reference DWG. #A010837A	AM	09/04/19

THE INSTALLATION DETAILS DESCRIBED HEREIN ARE GENERIC AND MAY NOT REFLECT ACTUAL CONDITIONS FOR A SPECIFIC SITE. IF SITE CONDITIONS CAUSE INSTALLATION TO DEVIATE FROM THE REQUIREMENTS DETAILED HEREIN, A LICENSED ENGINEER OR ARCHITECT SHALL PREPARE SITE SPECIFIC DOCUMENTS FOR USE WITH THIS DOCUMENT.



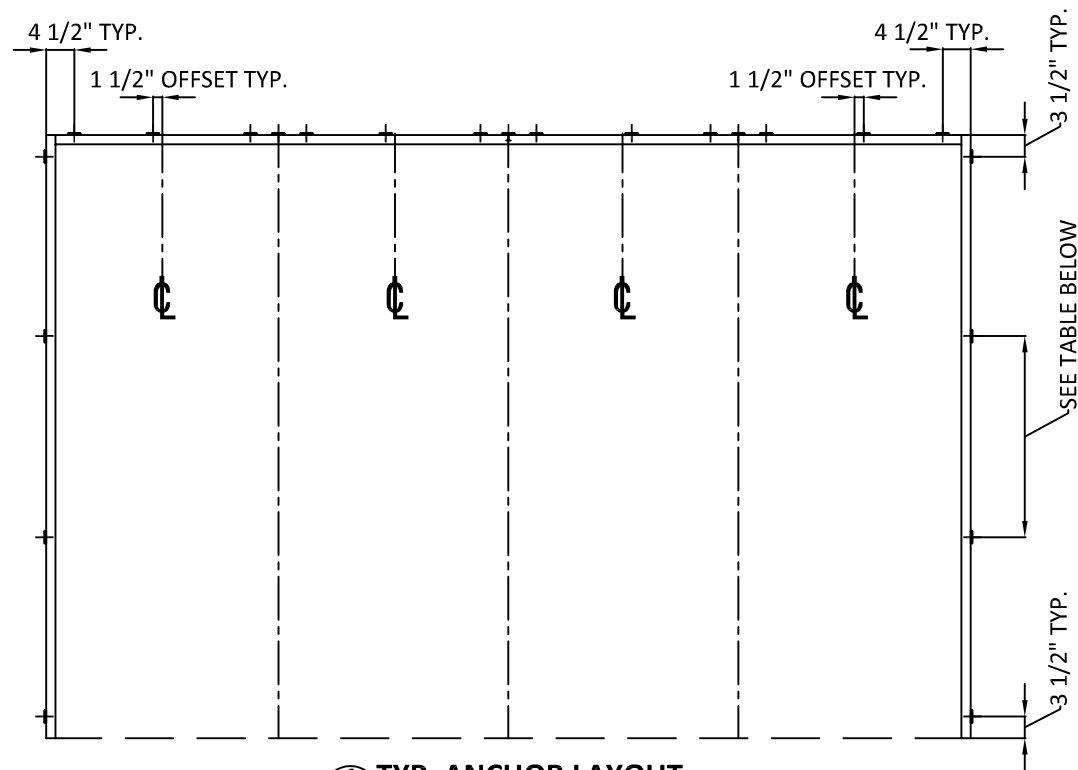
DATE: 02.05.14	
DWG. BY: GL/TJM	CHK. BY: SS/MSS
SCALE: NTS	
DWG. #: D015692	
SHEET: 4 OF 10	



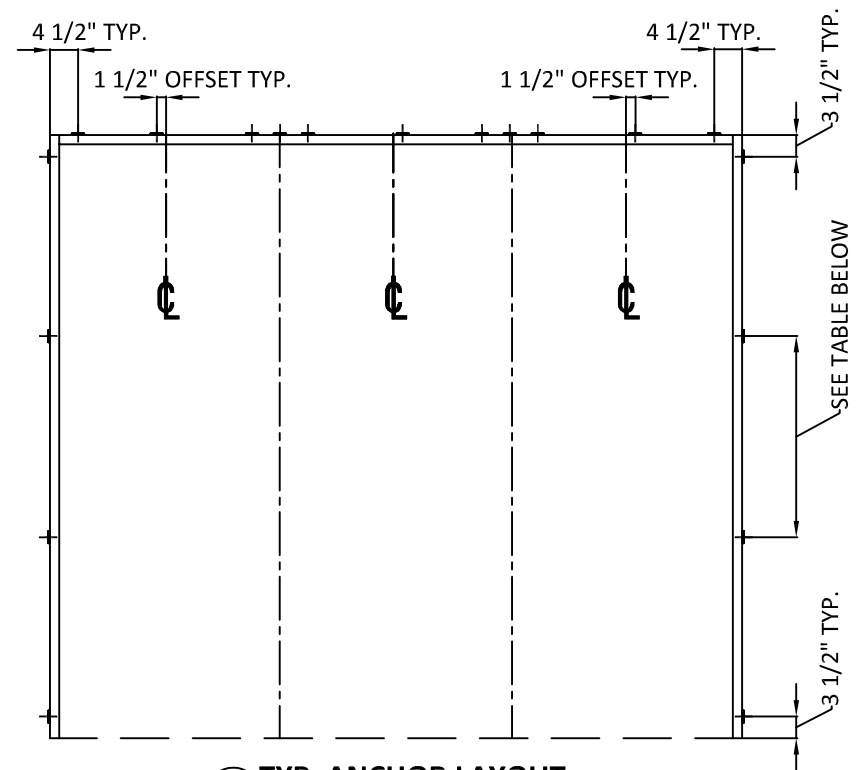
BUILDING DROPS, INC.
 398 E. DANIA BEACH BLVD., STE. 338
 DANIA BEACH, FL 33004
 PH: (954)399-8478
 FAX: (954)744.4738
 WEB: www.buildingdrops.com

TITLE: DESIGN PRO/SMOOTH PRO
 NON-IMPACT
 OPTIONAL 2X BUCK
 ANCHORING DETAILS

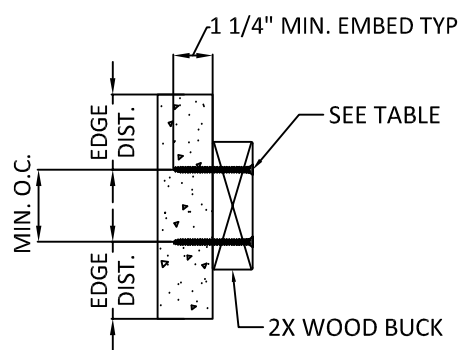
3737 LAKEPORT BLVD.,
 KLAMATH FALLS, OR 97601
 PH: (541)882-3451
 FAX: (541)850-2609



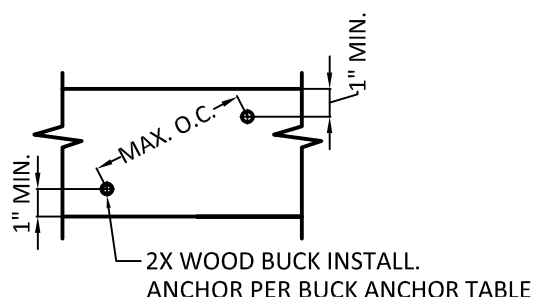
1
5 TYP. ANCHOR LAYOUT
 OPTIONAL 2X BUCK IN CONCRETE/MASONRY



2
5 TYP. ANCHOR LAYOUT
 OPTIONAL 2X BUCK IN CONCRETE/MASONRY



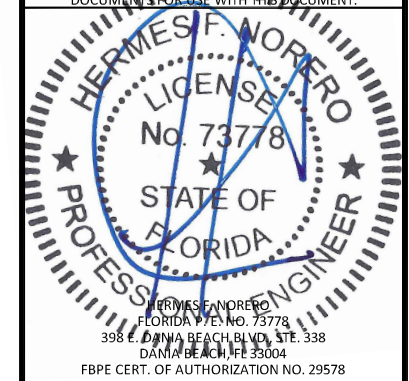
3
5 2X WOOD BUCK INSTALL.
 CROSS SECTION



4
5 2X WOOD BUCK INSTALL.
 SIDE VIEW

2X BUCK ANCHOR TABLE							
ANCHOR TYPE	ANCHOR SIZE	SUBSTRATE	MIN. EMBEDMENT	MIN. EDGE DIST. TO SUBSTRATE	MIN. CENTER TO CENTER DISTANCE	6'8" DOORS	8'0" DOORS
						MAX. O.C. SPACING AT JAMBS	MAX. O.C. SPACING AT JAMBS
ITW TAPCON	1/4"	CONCRETE/CMU	1-1/4"	2-1/2"	4"	25"	30-1/4"
ELCO ULTRA CON	1/4"	CONCRETE/CMU	1-3/8" - CONC. 1-1/4" - CMU	1"	4"	25"	30-1/4"

THE INSTALLATION DETAILS DESCRIBED HEREIN ARE GENERIC AND MAY NOT REFLECT ACTUAL CONDITIONS FOR A SPECIFIC SITE. IF SITE CONDITIONS CAUSE INSTALLATION TO DEVIATE FROM THE REQUIREMENTS DETAILED HEREIN, A LICENSED ENGINEER OR ARCHITECT SHALL PREPARE SITE SPECIFIC DOCUMENTS FOR USE WITH THIS DOCUMENT.



DATE: 02.05.14

DWG. BY: GL/TJM
 CHK. BY: SS/MSS

SCALE: NTS

DWG. #: D015692

SHEET: 5 OF 10

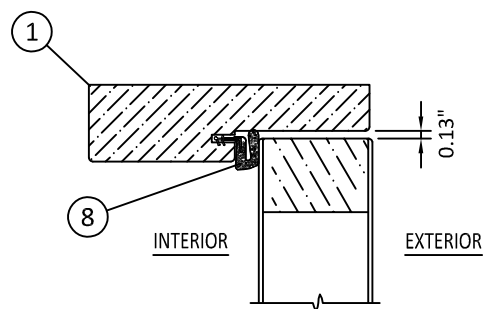
NOTES:

- 2X BUCK IS NOT FOR INSTALLATION AT SILL. THRESHOLD SHALL BE FASTENED IN ACCORDANCE WITH ANCHOR LOCATIONS SHOWN ON SHEET 3.
- ANCHORS MAY BE STAGGERED AS SHOWN IN DETAIL 4/5.

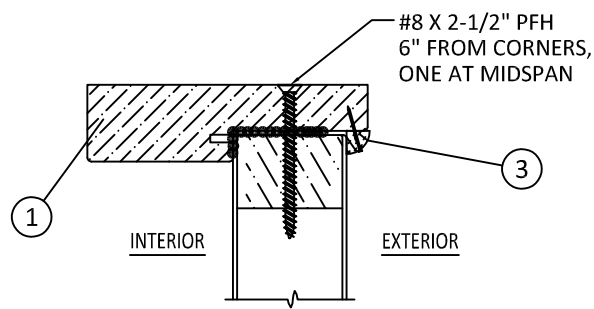
PREPARED BY:



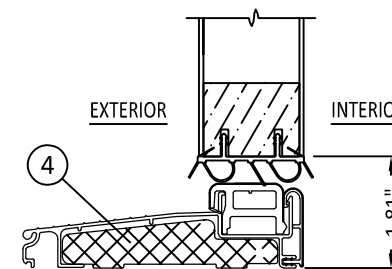
BUILDING DROPS, INC.
398 E. DANIA BEACH BLVD., STE. 338
DANIA BEACH, FL 33004
PH: (954)399-8478
FAX: (954)744.4738
WEB: www.buildingdrops.com



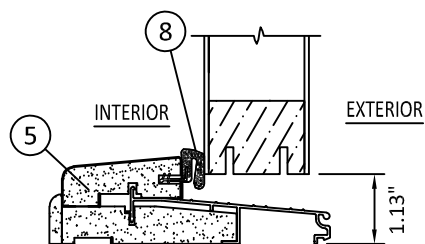
1
6 **OPERABLE HEAD**
OUTSWING SHOWN - INSWING SIMILAR



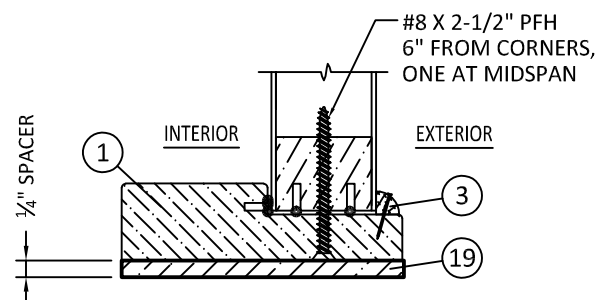
2
6 **SIDELITE HEAD**
OUTSWING SHOWN - INSWING SIMILAR



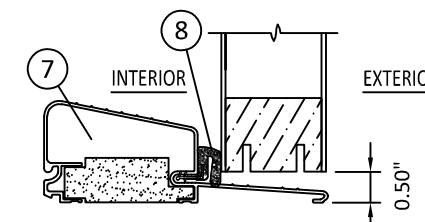
3
6 **OPERABLE SILL**
INSWING



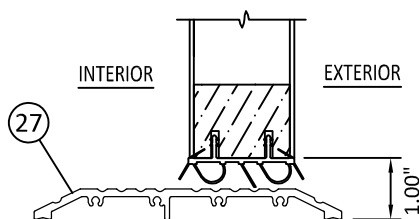
4
6 **OPERABLE SILL**
OUTSWING



5
6 **SIDELITE SILL**
OUTSWING SHOWN - INSWING SIMILAR



7
6 **OPERABLE SILL**
OUTSWING
OPTIONAL AFCO H-497



8
6 **OPERABLE ADA SILL**
INSWING/OUTSWING

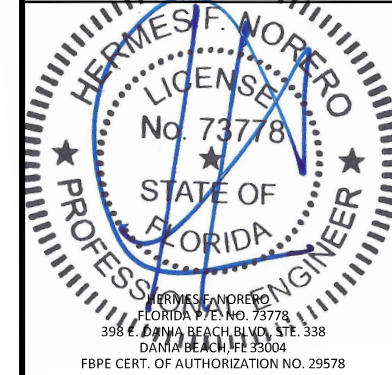
TITLE: DESIGN PRO/SMOOTH PRO
NON-IMPACT
VERTICAL ASSEMBLIES

3737 LAKEPORT BLVD.,
KLAMATH FALLS, OR 97601
PH: (541)882-3451
FAX: (541)850-2609

JELD-WEN
WINDOWS & DOORS

REMARKS	BY	DATE
Add Multi-Pt. Lock & Radius Lt.	GL	06/23/14
Reference DWG. #A010837A	AM	09/04/19

THE INSTALLATION DETAILS DESCRIBED HEREIN ARE GENERIC AND MAY NOT REFLECT ACTUAL CONDITIONS FOR A SPECIFIC SITE. IF SITE CONDITIONS CAUSE INSTALLATION TO DEVIATE FROM THE REQUIREMENTS DETAILED HEREIN, A LICENSED ENGINEER OR ARCHITECT SHALL PREPARE SITE SPECIFIC DOCUMENTS FOR USE WITH THIS DOCUMENT.



HERMES F. NORERO
FLORIDA P.E. NO. 73778
398 E. DANIA BEACH BLVD., STE. 338
DANIA BEACH, FL 33004
FBPE CERT. OF AUTHORIZATION NO. 29578

DATE:	02.05.14
DWG. BY:	GL/TJM
CHK. BY:	SS/MSS
SCALE:	NTS
DWG. #:	D015692
SHEET:	OF 10



BUILDING DROPS, INC.
 398 E. DANIA BEACH BLVD., STE. 338
 DANIA BEACH, FL 33004
 PH: (954)399-8478
 FAX: (954)744.4738
 WEB: www.buildingdrops.com

TITLE: DESIGN PRO/SMOOTH PRO
NON-IMPACT

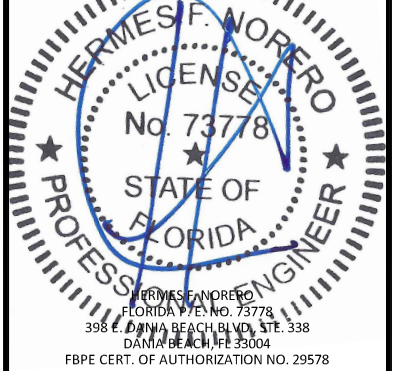
HORIZONTAL ASSEMBLIES

3737 LAKEPORT BLVD.,
 KLAMATH FALLS, OR 97601
 PH: (541)882-3451
 FAX: (541)850-2609

JELDOWEN
 WINDOWS & DOORS

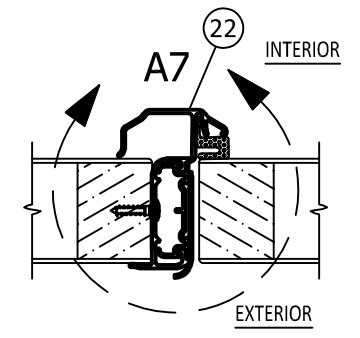
REMARKS	BY	DATE
Add Multi-Pt. Lock & Radius Lt.	GL	06/23/14
Reference DWG. #A010837A	AM	09/04/19

THE INSTALLATION DETAILS DESCRIBED HEREIN ARE GENERIC AND MAY NOT REFLECT ACTUAL CONDITIONS FOR A SPECIFIC SITE. IF SITE CONDITIONS CAUSE INSTALLATION TO DEVIATE FROM THE REQUIREMENTS DETAILED HEREIN, A LICENSED ENGINEER OR ARCHITECT SHALL PREPARE SITE SPECIFIC DOCUMENTS FOR USE WITH THIS DOCUMENT.

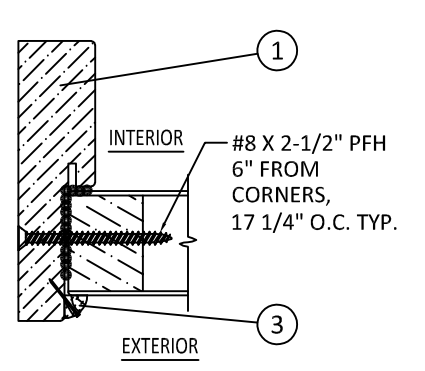


HERMES F. NORERO
 FLORIDA P.E. NO. 73778
 398 E. DANIA BEACH BLVD., STE. 338
 DANIA BEACH, FL 33004
 FBPE CERT. OF AUTHORIZATION NO. 29578

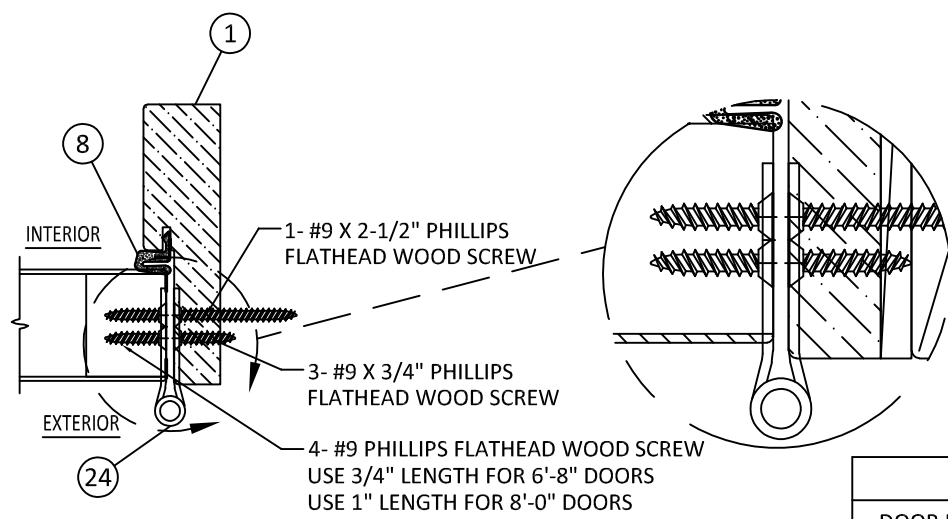
DATE:	02.05.14
DWG. BY:	GL/TJM
CHK. BY:	SS/MSS
SCALE:	NTS
DWG. #:	D015692
SHEET:	OF 10



1
7 MEETING STILE AT ASTRAGAL
OUTSWING SHOWN - INSWING SIMILAR

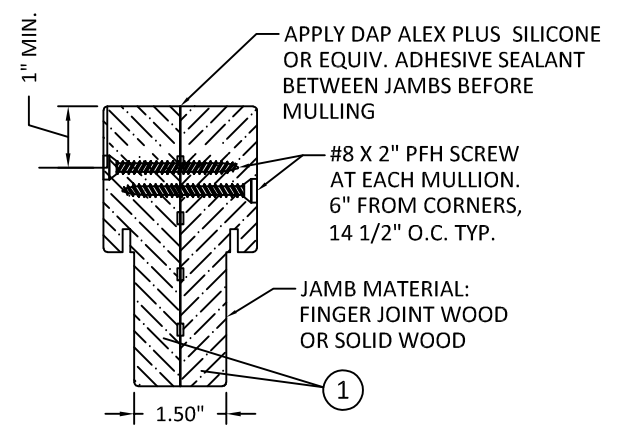


2
7 FIXED JAMB
OUTSWING SHOWN - INSWING SIMILAR

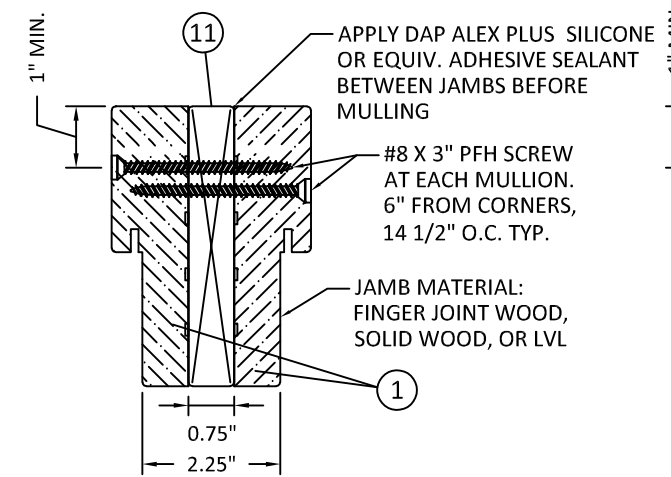


3
7 HINGE JAMB
OUTSWING SHOWN - INSWING SIMILAR

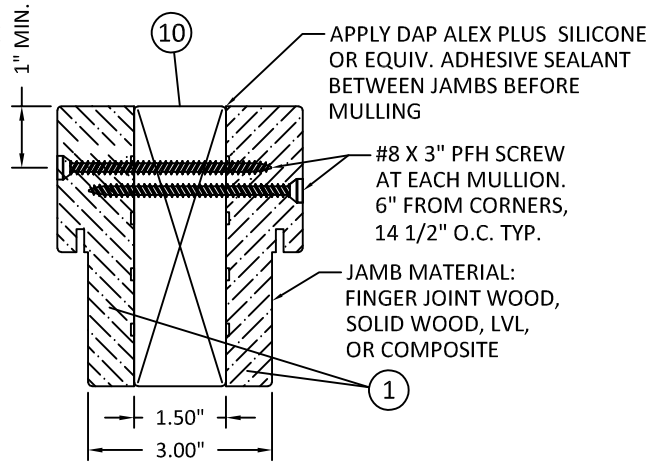
HINGE SCHEDULE	
DOOR HEIGHT	QUANTITY
6'-8"	3
8'-0"	4



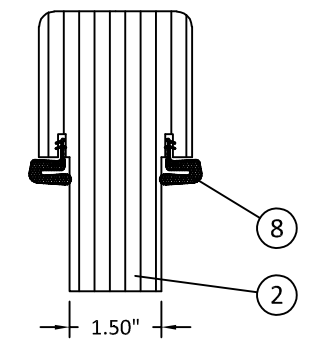
4
7 BACK-TO-BACK JAMB
NO MULLION REINFORCEMENT



5
7 BACK-TO-BACK JAMB
1X MULLION REINFORCEMENT

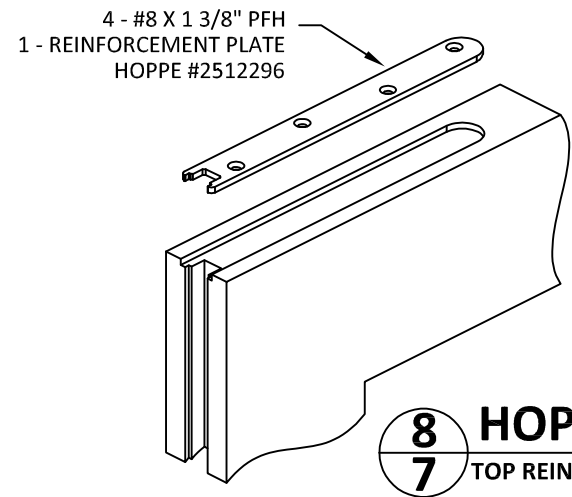
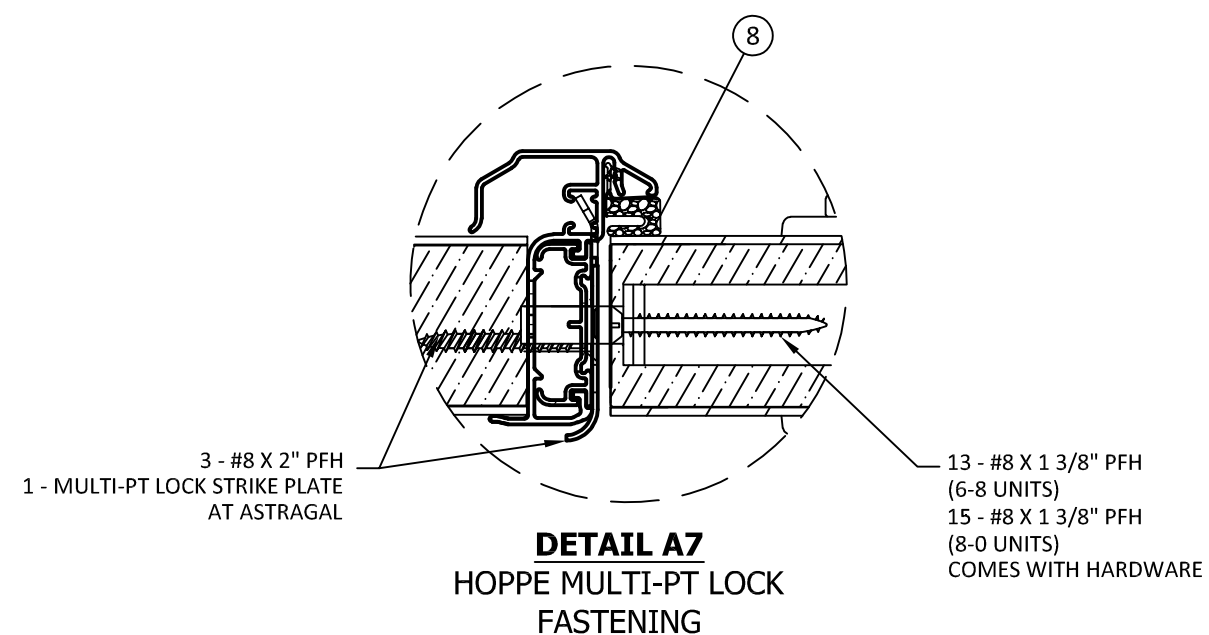


6
7 BACK-TO-BACK JAMB
2X MULLION REINFORCEMENT

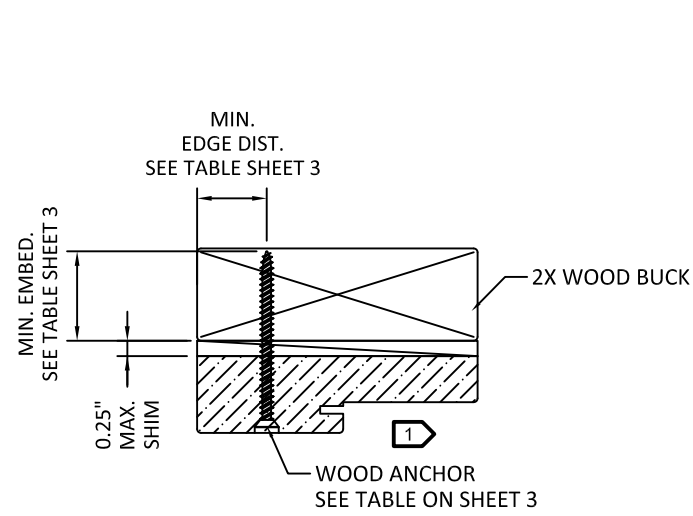


7
7 INTEGRAL MULLION
FOR 6'8" AND 8'0" UNITS

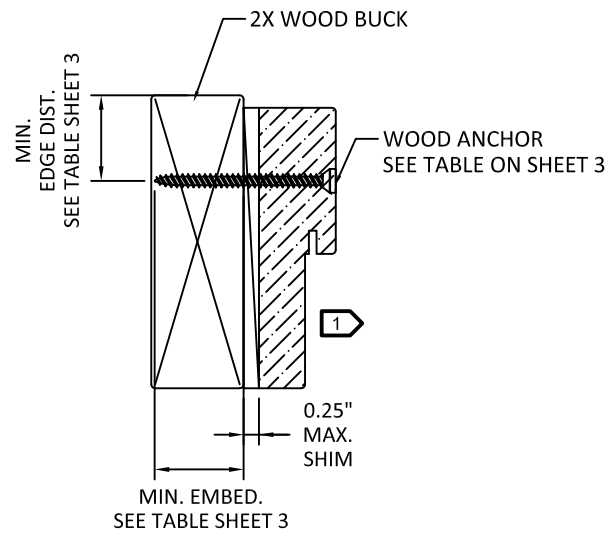
NOTE:
 ALL SOLID WOOD USED IN MULLION ASSEMBLIES ABOVE TO BE PONDEROSA PINE (MIN. S.G. = 0.45) OR GREATER.



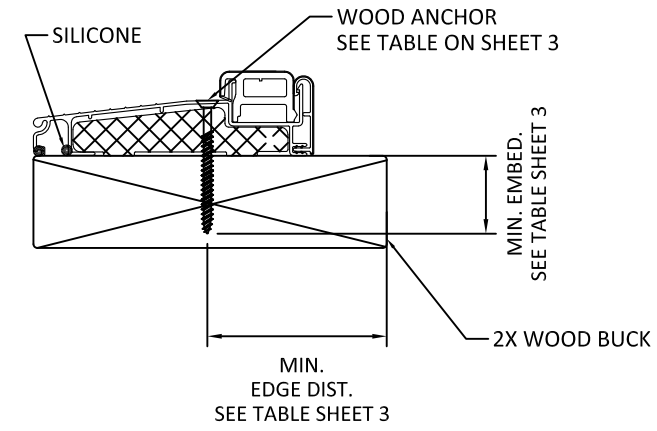
8
7 HOPPE MULTI-POINT LOCK
TOP REINFORCEMENT PLATE - ACTIVE PANEL ONLY



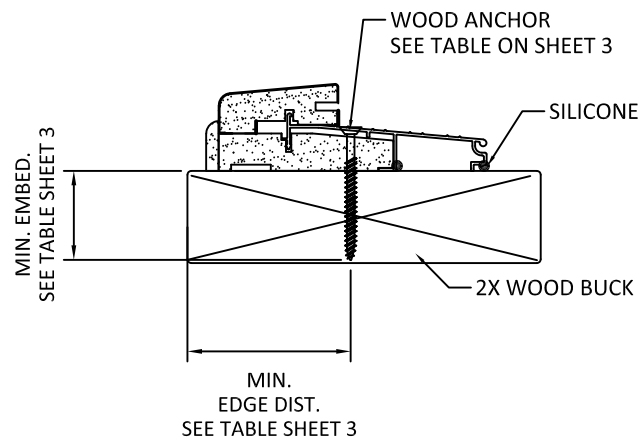
1
8 HEAD (TYPICAL)
OUTSWING SHOWN - INSWING SIMILAR



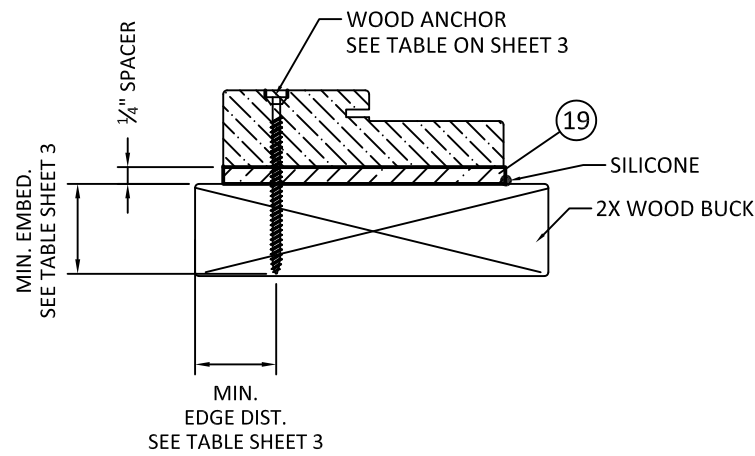
2
8 JAMB (TYPICAL)
OUTSWING SHOWN - INSWING SIMILAR



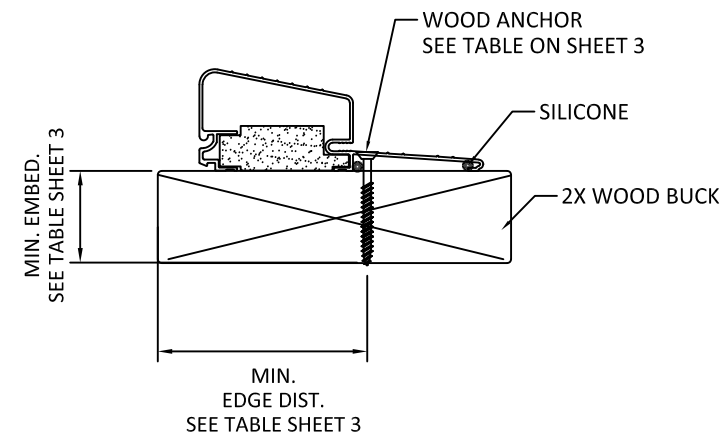
3
8 OPERABLE SILL
INSWING



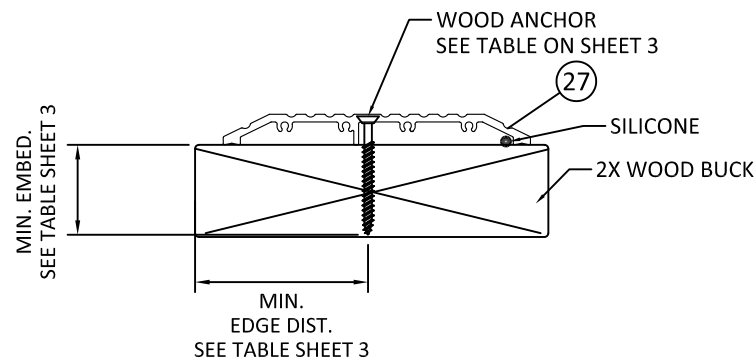
4
8 OPERABLE SILL
OUTSWING



5
8 SIDELITE SILL
OUTSWING SHOWN - INSWING SIMILAR



6
8 OPERABLE SILL
HIGH BUMP OUTSWING
AFCD H-497



7
8 ADA SILL

1 OPTIONALLY, ANCHOR CAN BE PLACED IN NARROW SECTION OF HEAD OR JAMB AS LONG AS MINIMUM EMBEDMENT AND EDGE DISTANCE ARE ACHIEVED.

PREPARED BY:

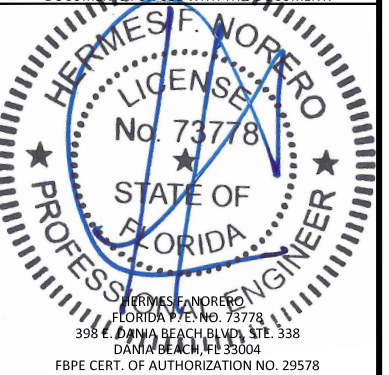
BUILDING DROPS, INC.
398 E. DANIA BEACH BLVD., STE. 338
DANIA BEACH, FL 33004
PH: (954)399-8478
FAX: (954)744.4738
WEB: www.buildingdrops.com

DESIGN PRO/SMOOTH PRO
NON-IMPACT
WOOD INSTALLATION

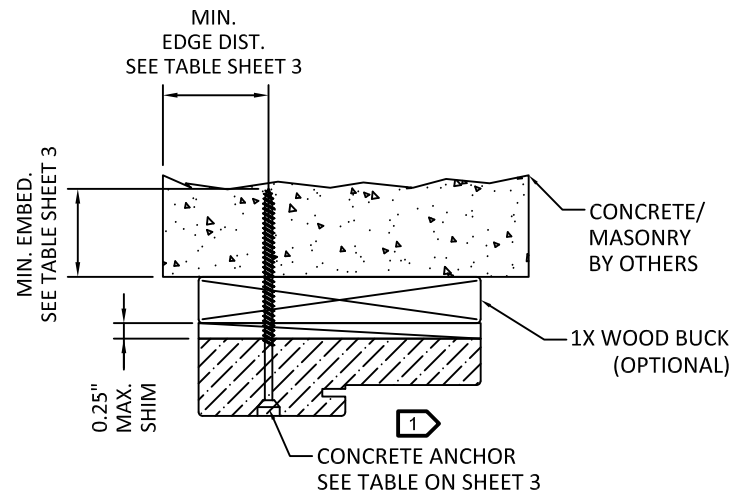
3737 LAKEPORT BLVD.,
KLAMATH FALLS, OR 97601
PH: (541)882-3451
FAX: (541)850-2609

REMARKS	BY	DATE
Add Multi-Pt. Lock & Radius Lt.	GL	06/23/14
Reference DWG. #A010837A	AM	09/04/19

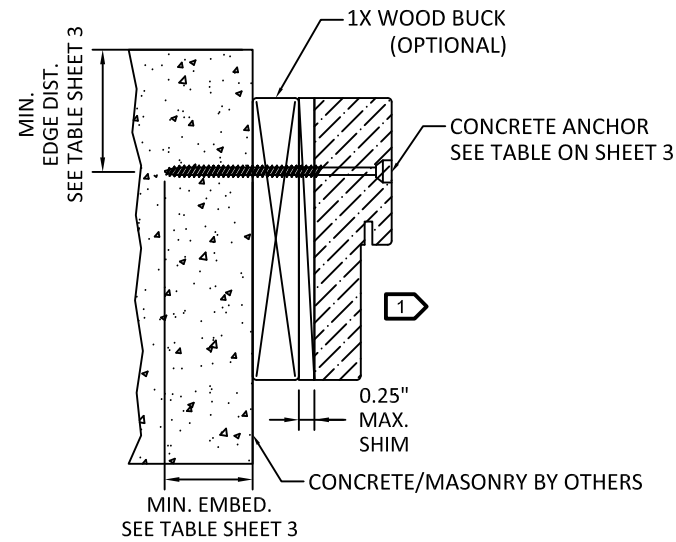
THE INSTALLATION DETAILS DESCRIBED HEREIN ARE GENERIC AND MAY NOT REFLECT ACTUAL CONDITIONS FOR A SPECIFIC SITE. IF SITE CONDITIONS CAUSE INSTALLATION TO DEVIATE FROM THE REQUIREMENTS DETAILED HEREIN, A LICENSED ENGINEER OR ARCHITECT SHALL PREPARE SITE SPECIFIC DOCUMENTS FOR USE WITH THIS DOCUMENT.



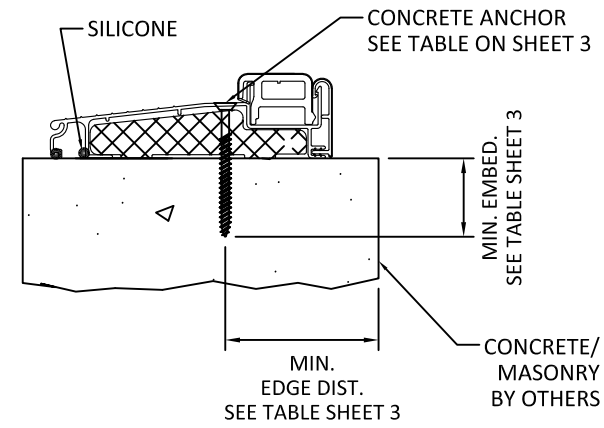
DATE:	02.05.14
DWG. BY:	GL/TJM
CHK. BY:	SS/MSS
SCALE:	NTS
DWG. #:	D015692
SHEET:	8 OF 10



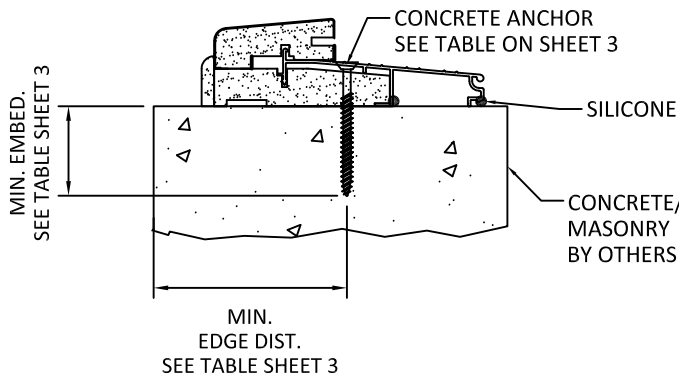
1
9 HEAD (TYPICAL)
OUTSWING SHOWN - INSWING SIMILAR



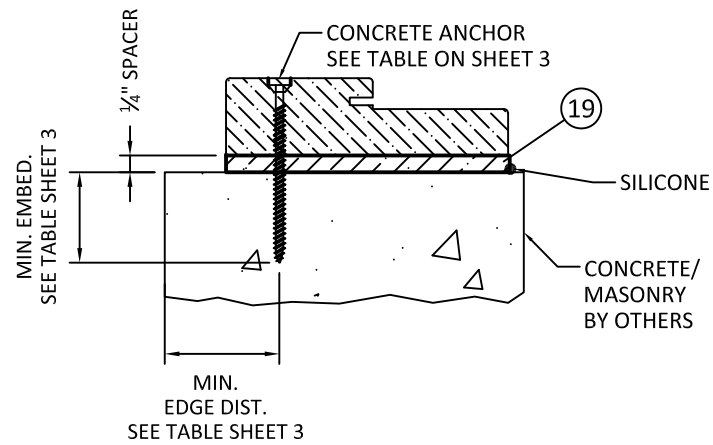
2
9 JAMB (TYPICAL)
OUTSWING SHOWN - INSWING SIMILAR



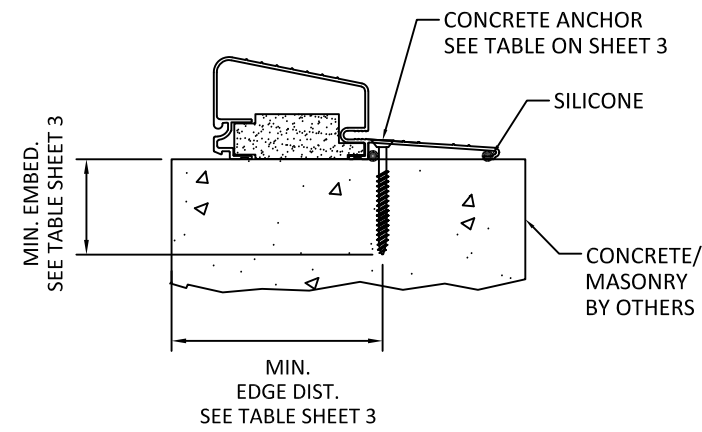
3
9 OPERABLE SILL
INSWING



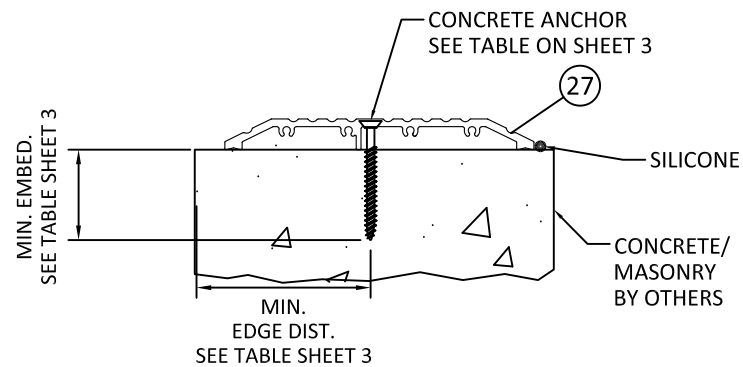
4
9 OPERABLE SILL
OUTSWING



5
9 SIDELITE SILL
OUTSWING SHOWN - INSWING SIMILAR



7
9 OPERABLE SILL
HIGH BUMP OUTSWING
AFCD H-497



5
9 SIDELITE SILL
OUTSWING SHOWN - INSWING SIMILAR

1 OPTIONALLY, ANCHOR CAN BE PLACED IN NARROW SECTION OF HEAD OR JAMB AS LONG AS MINIMUM EMBEDMENT AND EDGE DISTANCE ARE ACHIEVED.

PREPARED BY:

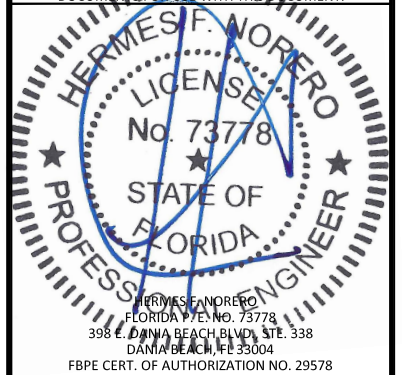
BUILDING DROPS, INC.
398 E. DANIA BEACH BLVD., STE. 338
DANIA BEACH, FL 33004
PH: (954)399-8478
FAX: (954)744.4738
WEB: www.buildingdrops.com

DESIGN PRO/SMOOTH PRO
NON-IMPACT
CONCRETE INSTALLATION

3737 LAKEPORT BLVD.,
KLAMATH FALLS, OR 97601
PH: (541)882-3451
FAX: (541)850-2609

REMARKS	BY	DATE
Add Multi-Pt. Lock & Radius Lt.	GL	06/23/14
Reference DWG. #A010837A	AM	09/04/19

THE INSTALLATION DETAILS DESCRIBED HEREIN ARE GENERIC AND MAY NOT REFLECT ACTUAL CONDITIONS FOR A SPECIFIC SITE. IF SITE CONDITIONS CAUSE INSTALLATION TO DEVIATE FROM THE REQUIREMENTS DETAILED HEREIN, A LICENSED ENGINEER OR ARCHITECT SHALL PREPARE SITE SPECIFIC DOCUMENTS FOR USE WITH THIS DOCUMENT.



DATE: 02.05.14

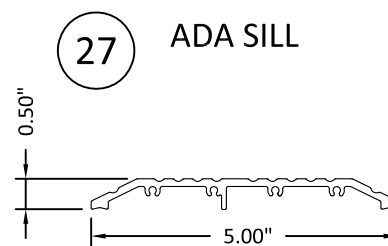
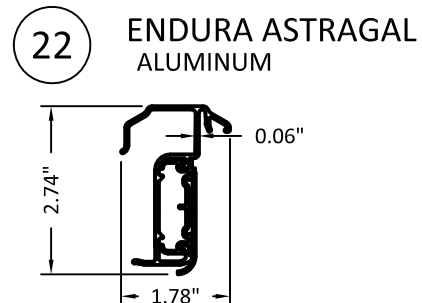
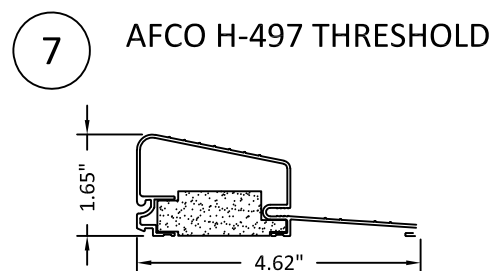
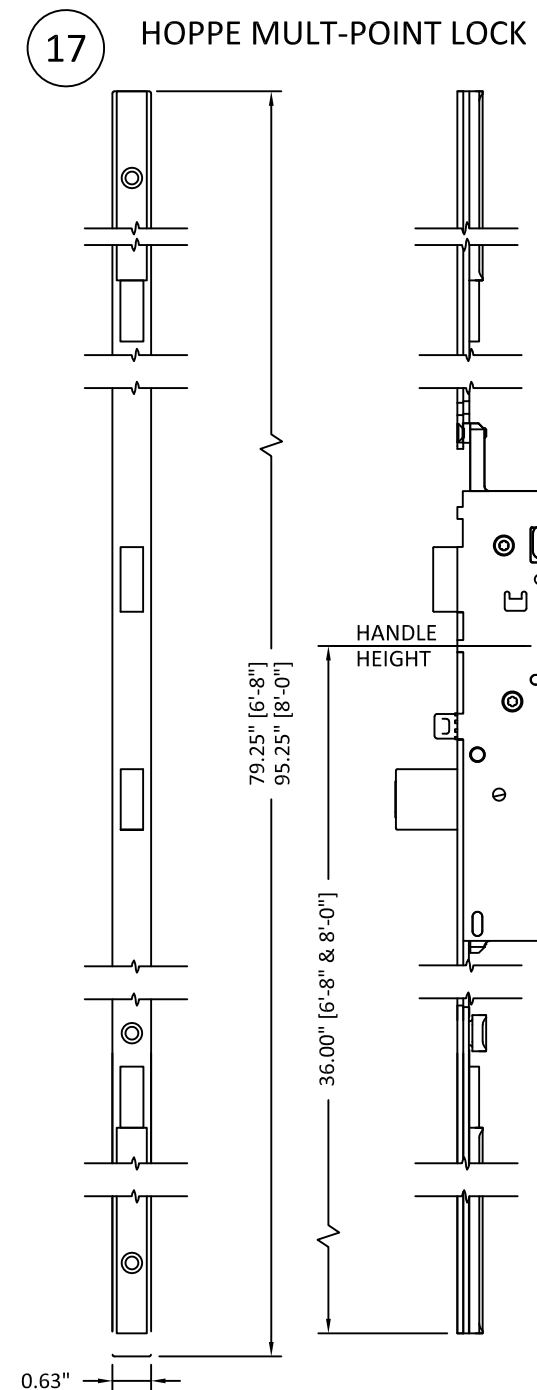
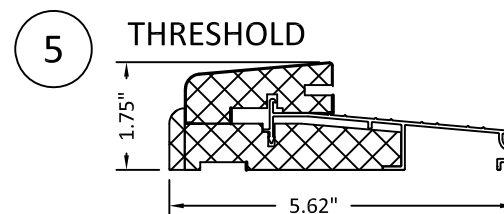
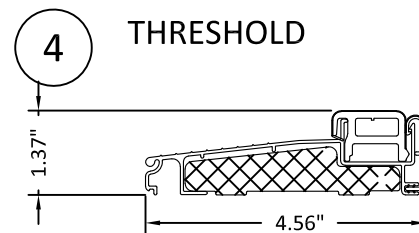
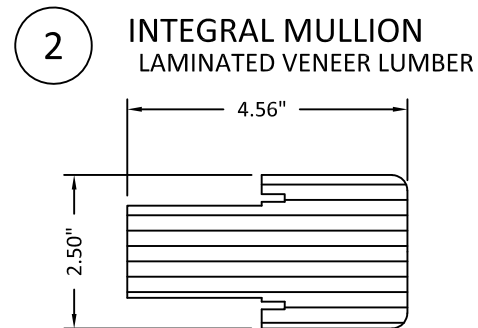
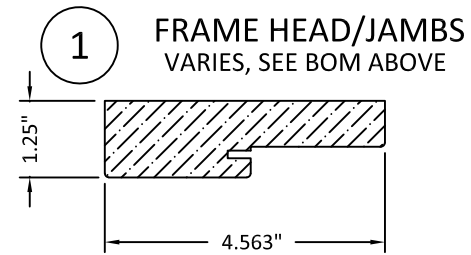
DWG. BY: GL/TJM | CHK. BY: SS/MSS

SCALE: NTS

DWG. #: D015692

SHEET: 9 OF 10

BILL OF MATERIALS		
ITEM#	DESCRIPTION	MATERIAL
1	FRAME HEAD/JAMBS	FINGER-JOINTED PINE
		SOLID PINE
		LAMINATED VENEER LUMBER
		COMPOSITE
2	INTEGRAL MULLION	LAMINATED VENEER LUMBER
3	SIDELITE STOP	WOOD
4	THRESHOLD	-
5	THRESHOLD	-
6	(NOT USED)	-
7	AFCO H-497 THRESHOLD	-
8	WEATHERSTRIP	URETHANE FOAM & POLYETHYLENE
9	NON-COMPRESSION SHIM (0.25" MAX. THK.)	COMPOSITE
10	2X WOOD (S.G. MUST BE 0.55 OR GREATER)	WOOD
11	1X WOOD (S.G. MUST BE 0.55 OR GREATER)	WOOD
12	#10 WOOD INSTALLATION SCREW W/ 1 1/2" MIN. EMBEDMENT	STEEL
13	CONC./CMU ANCHOR (SEE ANCHOR TABLE SHEETS 3 & 5)	STEEL
14	1" O.A. IG TEMPERED NON-IMPACT GLASS	-
15	LOCK SERIES 400	STEEL
16	DEADBOLT SERIES 780	STEEL
17	HOPPE MULI-POINT HARDWARE HLS9000 (SEE SHEET 2 FOR HARDWARE AND FASTENING DETAILS)	STEEL
18	(NOT USED)	-
19	PRESSURE TREATED SILL SPACER USED FOR FIXED PANEL	WOOD
20	ODL LIPLITE KIT (NI)	PLASTIC
21	FLUSH GLAZING LEG	FIBERGLASS
22	ASTRAGAL, ENDURA ULTIMATE HURRICANE (SEE SHEET 2 FOR HARDWARE AND FASTENING DETAILS)	ALUMINUM
23	ODL LIPLITE KIT (RADIUS LITES)	PLASTIC
24	BUTT HINGE (SEE SCHEDULE SHEET 7)	STEEL
25	FLAT LITE KIT	ALUMINUM
26	PU DOOR CORE	-
27	ADA THRESHOLD	-



PREPARED BY:

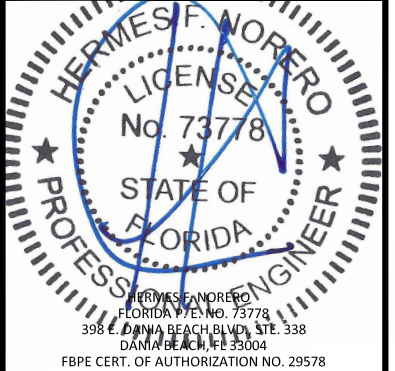
BUILDING DROPS, INC.
398 E. DANIA BEACH BLVD., STE. 338
DANIA BEACH, FL 33004
PH: (954)399-8478
FAX: (954)744.4738
WEB: www.buildingdrops.com

TITLE: DESIGN PRO/SMOOTH PRO
NON-IMPACT
COMPONENTS AND BILL OF MATERIALS

3737 LAKEPORT BLVD.,
KLAMATH FALLS, OR 97601
PH: (541)882-3451
FAX: (541)850-2609

REMARKS	BY	DATE
Add Multi-Pt. Lock & Radius Lt.	GL	06/23/14
Reference DWG. #A010837A	AM	09/04/19

THE INSTALLATION DETAILS DESCRIBED HEREIN ARE GENERIC AND MAY NOT REFLECT ACTUAL CONDITIONS FOR A SPECIFIC SITE. IF SITE CONDITIONS CAUSE INSTALLATION TO DEVIATE FROM THE REQUIREMENTS DETAILED HEREIN, A LICENSED ENGINEER OR ARCHITECT SHALL PREPARE SITE SPECIFIC DOCUMENTS FOR USE WITH THIS DOCUMENT.



DATE:	02.05.14
DWG. BY:	GL/TJM
CHK. BY:	SS/MSS
SCALE:	NTS
DWG. #:	D015692
SHEET:	OF 10